




Wood-Core Warranty Storm Doors INSTALLATION INSTRUCTIONS

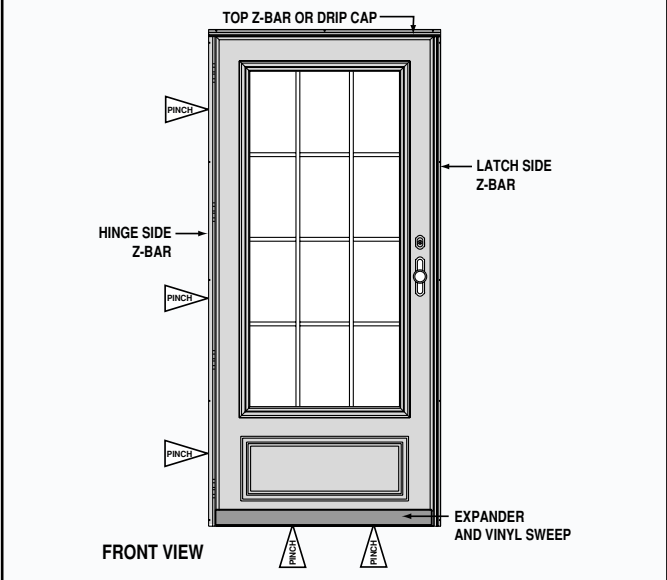
READ BEFORE BEGINNING INSTALLATION.

1. The door requires caution while installing and during its total operational life.
2. The door is heavy and requires two people to lift and install on your home or business.
3. Pinch points are indicated in the instructions by this symbol.  Children should not be allowed to play with the door and should be made aware of the pinch points by the owner. Failure to properly instruct the user of this product could result in the loss of a finger or other injury.
4. Do not operate the storm door without closer(s) installed and adjusted to prevent door slamming.
5. Eye protection must be used during the installation to prevent damage from flying particles.
6. Do not modify or alter the installation and specified use of the door.
7. Read the complete installation instructions before proceeding with installation.

NOTE: Larson Manufacturing Company is not responsible for accidents and injury resulting from the use or installation of this product.

NOTE: Keep all receipts and paperwork for future reference.

FIGURE 1 PARTS IDENTIFICATION



1 Remove The Window Sashes From Your Door

1a Full-Lite Models

REMOVAL

Place sharp flat-nose screwdriver blade in groove next to door frame (approximately 1/2" from top or bottom of window) and pry end of retainer loose. Grasp retainer and remove. (See Figure 2)

INSTALLATION

The door is installed with either the screen or glass held in place by plastic retainer strips.

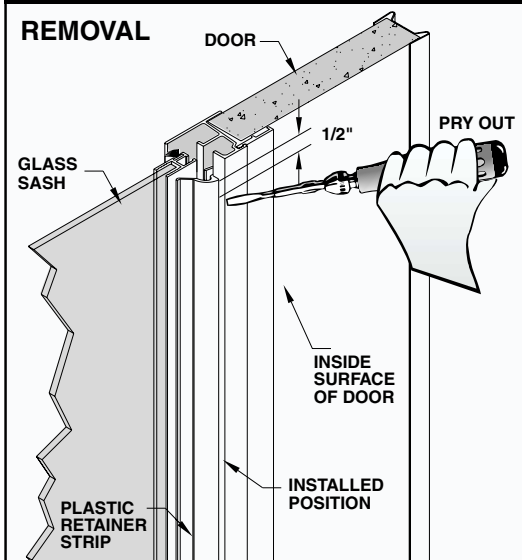
To install retainers, start one end of the retainer into the track at the top or bottom of the window and push retainer into the track as shown. Continue to snap retainer into place from that end (moving toward the opposite end in increments of 4–5"). At the end, you will hear a "snap" as the last portion of the retainer goes in. See Figure 3.

TOOLS NEEDED

- | | |
|---|---|
| 1. Power drill with assorted bits | 7. Pliers |
| 2. Phillips head screwdriver, regular screwdriver | 8. Saw horses |
| 3. Tape measure | 9. Small wood chisel |
| 4. Square and level | 10. Hole saw or spade bit - per hardware instructions |
| 5. Hammer | |
| 6. Pencil | |

A cordless drill with a screw driver bit is recommended. Assembly may require shimming to fit existing opening (shims not included).

FIGURE 2 REMOVAL

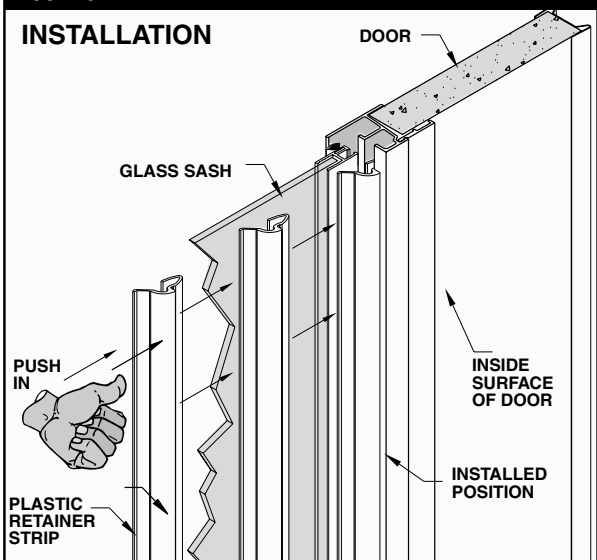


INSTALLATION When installing glass insert

Glass insert (when installed correctly) will be held tight by vinyl retainer strips. **CAUTION!**

If glass insert is loose—vinyl retainer strips are **NOT** installed correctly. Remove retainer strips and re-install them per the instructions.

FIGURE 3 INSTALLATION

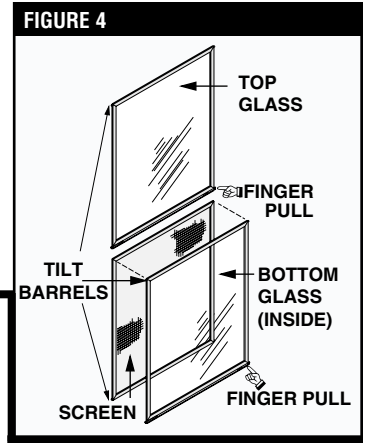


1b Self-Storing Models

Standard Ventilation—Screen in Bottom Position (Figure 4)

1. Remove bottom glass sash from door.
2. Remove screen by lifting up top glass sash which rests on top of the screen and pulling out on top of screen. Also, you can disengage the top glass finger pulls and pull out both the glass and screen at the same time.
3. Remove top glass sash.

• **NOTE:** the position of the tilt barrels as shown in Figure 4.



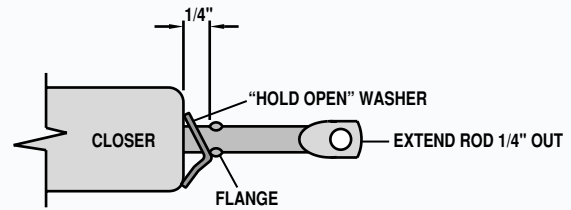
2 Disconnect Closer and Windchain Hardware From Old Storm Door - Some models do NOT have a windchain.

2a Closer Disconnection

IMPORTANT FIRST STEP

- Position hold open washer between flange and closer. This will hold door open slightly. (see Figure 5)
- This must be done for closer to work properly later on.

FIGURE 5

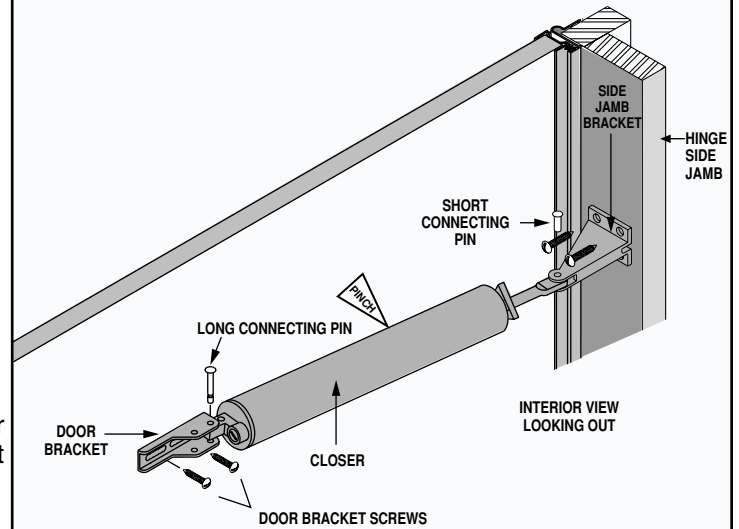


Remove the (2) door bracket screws (see Figure 6). (Leave door bracket connected to closure.)

Save these screws for future installation.

Leaving closure assembly attached to the hinge side jamb, swing closer assembly towards the inside of the house (out of the way of the storm door.)

FIGURE 6



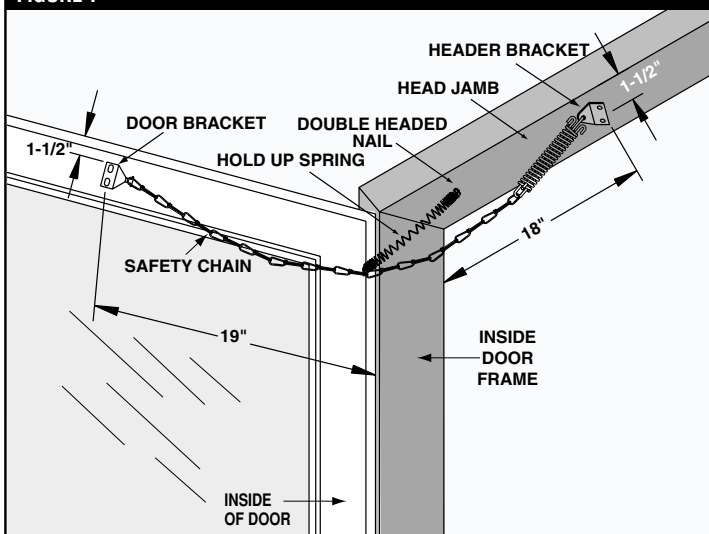
2b Windchain Disconnection

With door closed, remove the (2) door bracket screws. (see Figure 7)

Save these screws for future installation.

Leaving windchain assembly attached to the header jamb, let the chain and door bracket swing down (out of the way of the storm door.)

FIGURE 7



3 Remove Old Storm Door From Prime Door

Open storm door to expose hinges and z-bar against door trim or wood frame.

Remove (2) #8 x 1" flat head screws per hinge (8 screws total). (see Figure 8)

Close storm door, then remove remaining #8 x 1" painted pan head screws from the outer face of the hinge side z-bar. (see Figure 9).

Take door down from opening (hinged z-bar still attached to door) and lay flat on saw horses.

FIGURE 8



#8 x 1" FLAT ZINC PLATED

FIGURE 9



#8 x 1" PAN HEAD PAINTED

4 Remove Expander, Hinge Z-bar and Latch Hardware From Old Storm Door.

These will be installed on new replacement door.
Save screws for future installation.

5 Installed Old Hinged Z-bar On Replacement Storm Door With Screws Provided.

Lay the door flat on saw horses (outer front face of door facing up). To verify outside from inside of your door. . glass and screen inserts are removed and installed from the inside. Place the "hinge Z-bar assembly" on the edge of the door as shown with each hinge leaf turned down (see Figure 10). Check to see that the aluminum Z-bar is orientated as shown in illustrations (Figure 13) for a left-hand hinged door, or (Figure 14) for a right-hand hinged door.

Move "hinge Z-bar assembly" up or down until the top of the z-bar hangs over the top edge of the door 1/16"-1/8". Position at same locaton as original door. (See Figure 11) Mark the top hole of the top hinge and drill an 1/8" pilot hole. Install one #8x1" unpainted pan head screw. **The top end of the Z-bar MUST overhang the top of the door 1/16" to 1/8"**.

Align each hinge leaf along the edge of the door, drill 1/8" pilot holes, and complete the attachment of each hinge to the door using the remaining #8x1" unpainted pan head screws. (see Figure 12)

NOTE: Hinged Z-bar must swing after securing hinges to the door.
Rotate per Figure 10.

FIGURE 13

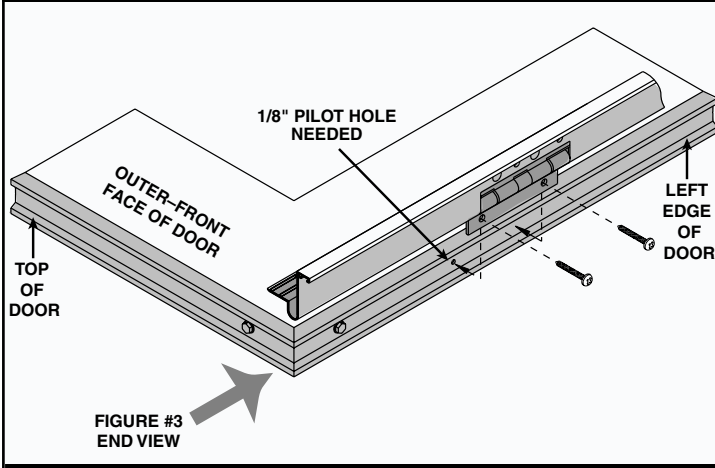
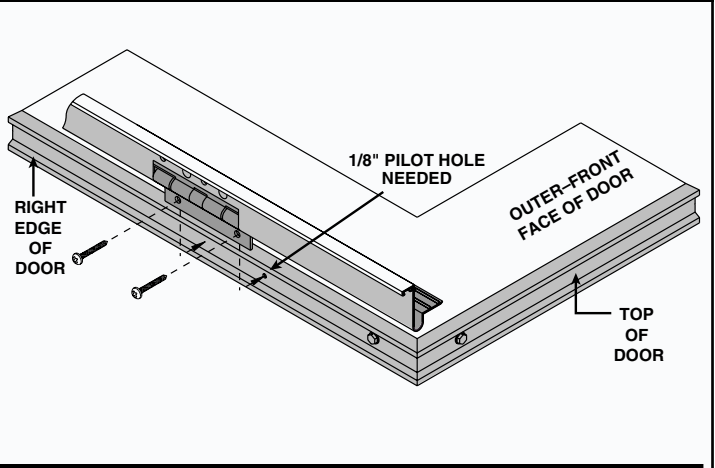


FIGURE 14



6 Install Old Expander On New Storm Door

Screw slots should be on the inside of the door.
Do **not** install screws at this point. The expander will be adjusted and screws installed after new door is hung.

Completed up to this point:

- ✓Old hinged z-bar attached to new door.
- ✓Old expander placed on new door.

FIGURE 10

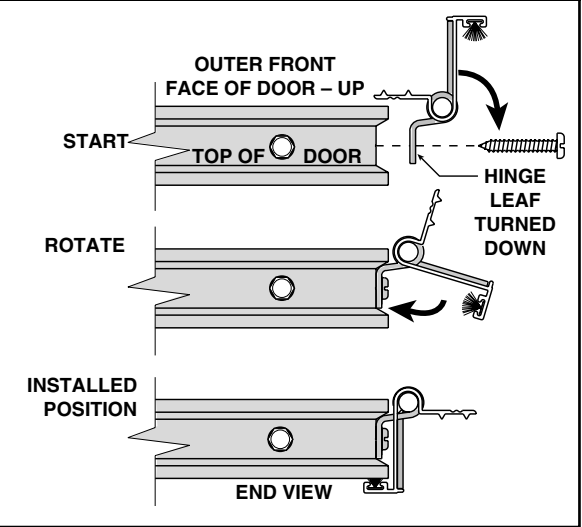


FIGURE 12

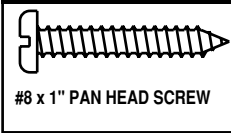
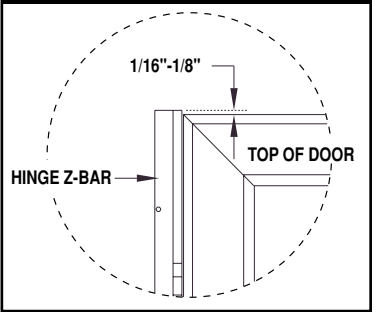


FIGURE 11



7 Secure Door To Opening

Place the door in the opening with the hinge-side Z-bar tight against the door trim or wood frame. Temporarily install just two of the painted #8 x 1" pan head screws (Figure 10) on the front of the hinge-side Z-bar. Install one screw next to the top hinge and one next to the bottom hinge. Be sure not to over tighten the screws and crush down the Z-bar.

From the outside of the house with the door closed, check the distance between the side of your Larson storm door and the existing latch side Z-bar. **Make sure the door closes freely without hitting the z-bar, but also makes good contact with the z-bar weatherstripping.**

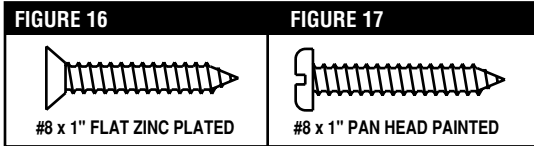
FIGURE 10



8 Complete Hinge-Side Z-bar Installation

With the door properly fit in the opening, open the door to expose the hinges. You will see two (2) pre-punched holes at each hinge plate. Using eight (8) #8x1" flat head screws (Figure 16), attach each hinge plate to the wood jamb. Screw heads must be flush with the hinge surface.

Install the remaining #8x1" painted pan head screws (Figure 17) in the outside of the hinge-side Z-bar.



9 Adjust the Bottom Expander

Install expander at the bottom of the door with the slotted holes to the inside. Adjust the bottom expander so that the vinyl sweeps touch the door threshold. Centrally locate the two #6x3/8" pan head screws (Figure 18) in the slot to allow for future adjustments.

Drill 3/32" diameter pilot holes for the screws, **being careful not to drill all the way through to the front face of the door, then install screws.**



10 Install Old Latch Hardware On New Storm Door

– Use old door as a pattern for hole location.

NOTE: A drilling guide for tracing holes is provided.

11 Reinstall Closer and Windchain Hardware

Remember: Some models do NOT have a windchain.

11a Closer Reinstallation

Close and latch storm door.

Swing closer assembly back up against storm door.

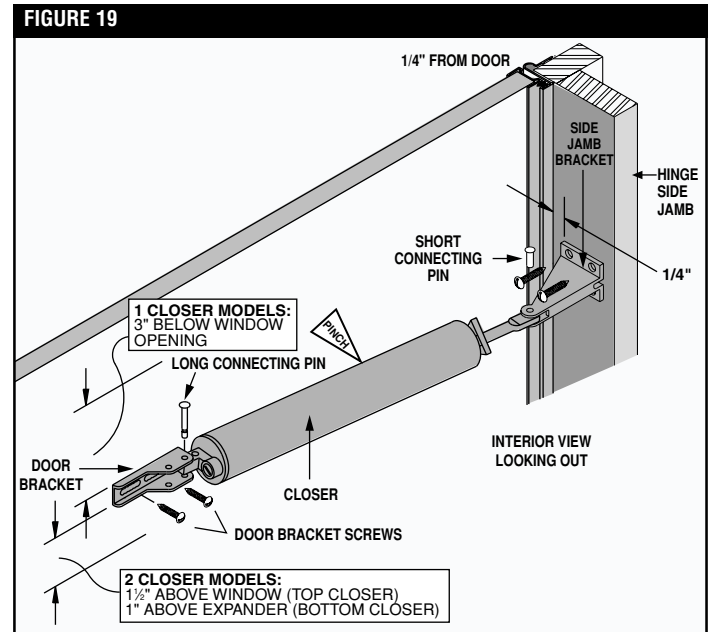
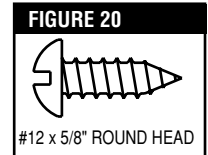
Level the assembly and door bracket (see Figure 19).

Mark the location for the insertion of the door bracket screws.

Drill 1/8" pilot holes.

CAUTION: Do Not drill all the way through door.

Install (2) #12 x 5/8" screws to fasten door bracket (see Figure 20).



11b Windchain Reinstallation

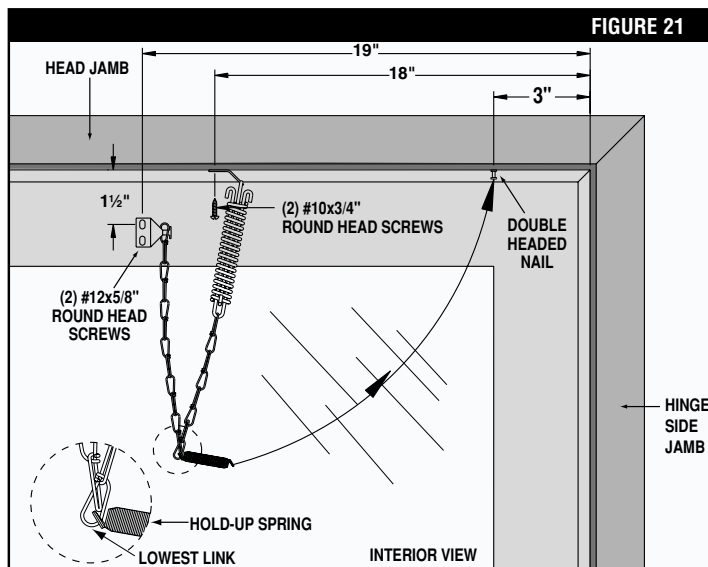
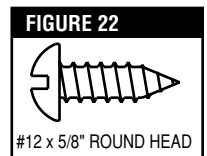
Close and latch storm door.

Swing windchain assembly up and position door bracket on the storm door per (Figure 21). The door bracket should be positioned on the inside surface 1-1/2" from the top edge of the door and 19" from hinge edge of the door in a horizontal position.

Mark, then drill (2) 1/8" pilot holes.

CAUTION: Do Not drill all the way through the door.

Fasten door bracket by installing (2) #12 x 5/8" round head screws. (see Figure 22)



12 Reinstall Glass and Screen Inserts Per Step 1

You're Done!