



EasyVent Storm Door French Door Instructions

202220668 8/08

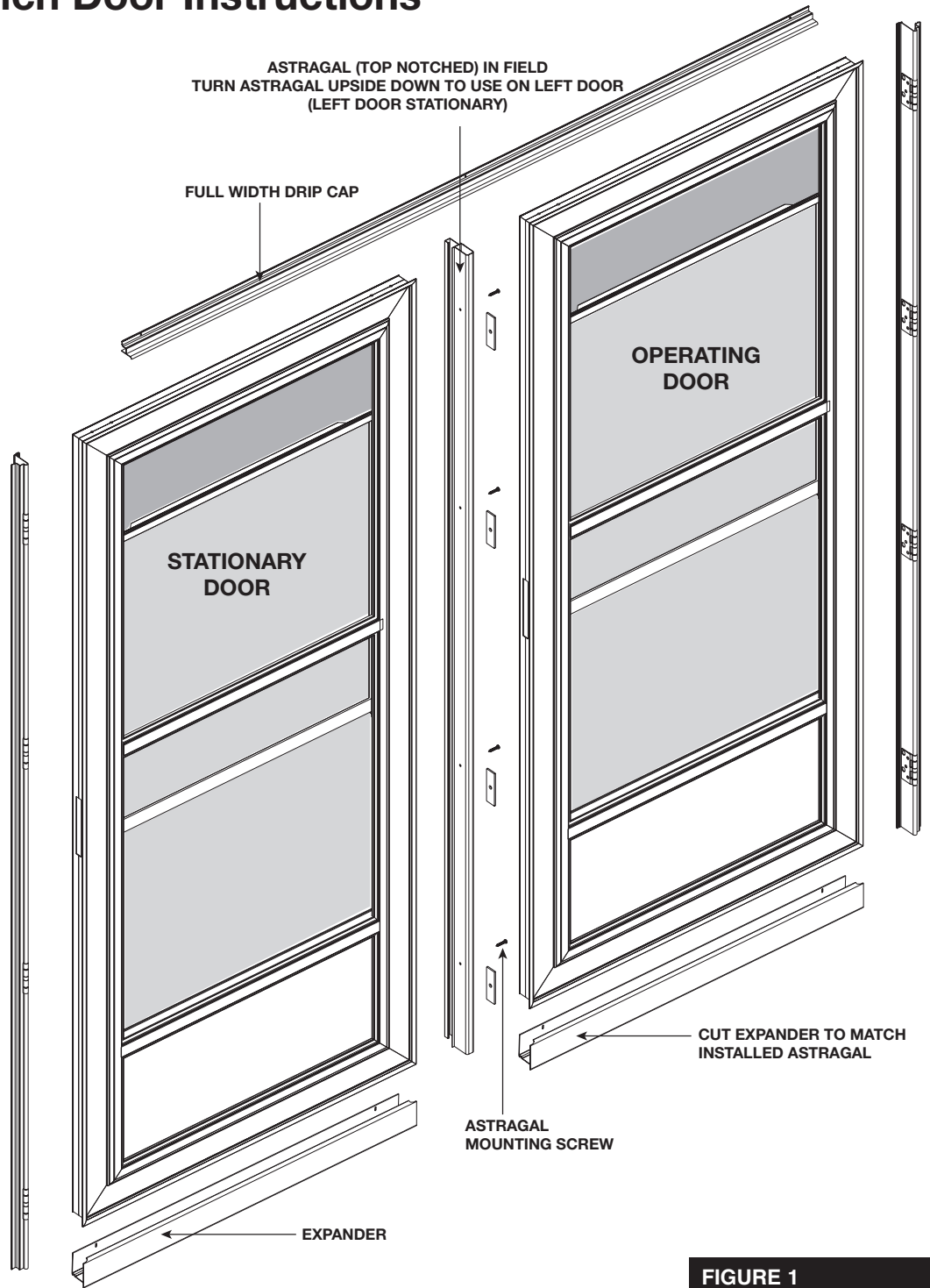


FIGURE 1
FRONT VIEW

TOOLS NEEDED

1. Phillips Screw Driver
2. Pliers
3. Knife
4. Hacksaw
5. Tape Measure
6. Drill Bits:
3/32" - 1/8" - 3/8" - 1/2"
7. Pencil
8. Drill (Cordless drill with Phillips bit)
9. Centerpunch (nail may be used)
10. Pair of Saw Horses

FRENCH DOOR KIT BILL OF MATERIALS

1. Full Width Drip Cap
2. Astragal
3. Astragal Screws
4 - #8x1 screws
4. Adhesive backed shims
(Qty: 12)
5. Slide Bolt Packages (2)
Includes: 2 Screws,
2-piece body
6. Instruction Sheet:
French Doors

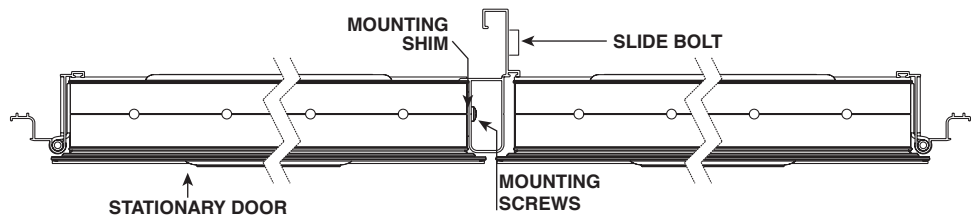


FIGURE 2
TOP SECTION VIEW

FIGURE 3A
STANDARD HEIGHT DOORS

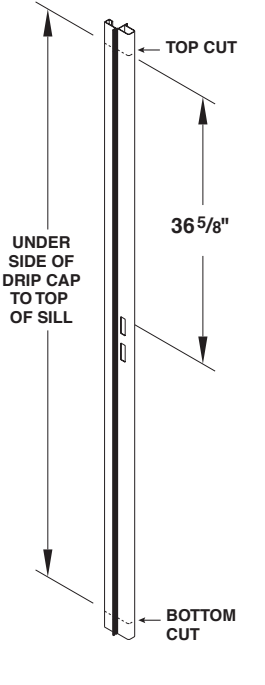


FIGURE 3B-C
CUSTOM HEIGHT DOORS

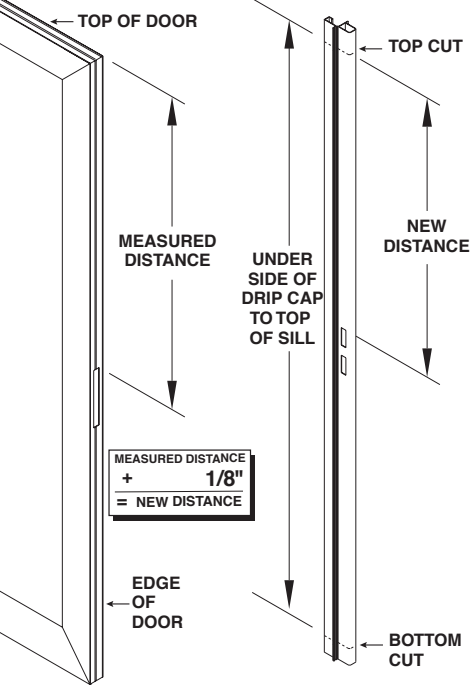


FIGURE 4
ASTRAGAL NOTCHING

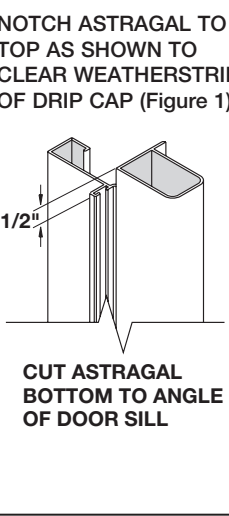
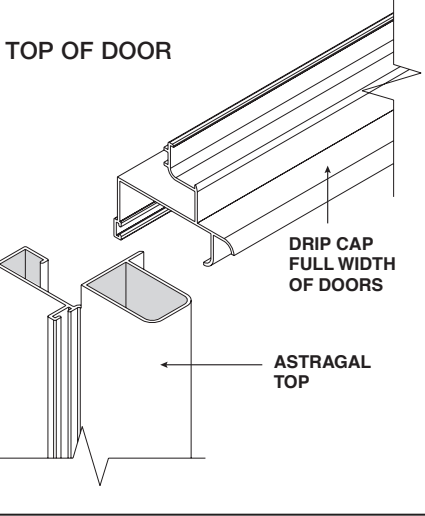


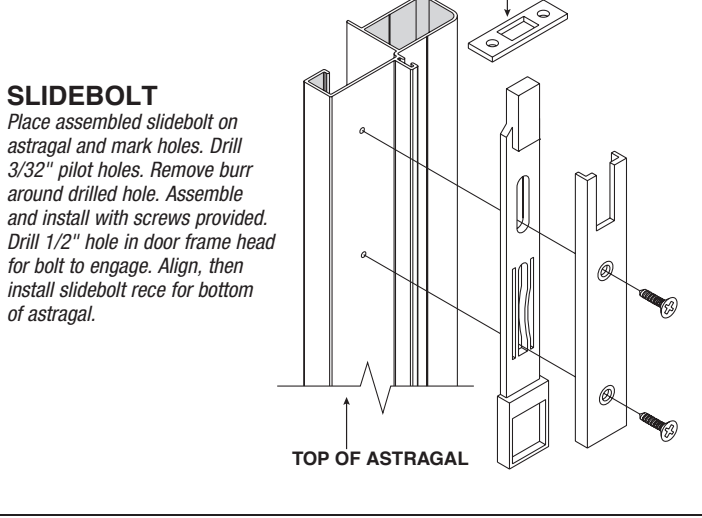
FIGURE 5
ASTRAGAL DRIP CAP INTERSECTION



MEASURE EXISTING FRENCH DOOR OPENING

1. Measure full width of opening from brickmold trim where storm doors will attach to the trim. See illustration "opening width."
2. Measure full height of opening from head exterior trim to threshold where storm doors will attach.
3. Compare your dimensions with the standard EasyVent French Storm Door opening size chart below.
NOTE: Continuous wood shims up to 1/4" thick can be installed behind both hinge z-bars allowing a given width of standard doors to fit an opening 1/2" wider.

FIGURE 6
SLIDEBOLT MOUNTING ASTRAGAL



Larson EasyVent Storm Door Size Chart		
Two standard width doors nominal size	Fit opening widths (Min/Max)	Fit opening heights (Min/Max)
32"	2' 8" and 2' 8"	80" - 81"
36"	3' 0" and 3' 0"	
	63-3/4" - 64"	
	71-3/4" - 72"	

EXCEPTIONS TO DOOR INSTALLATION INSTRUCTIONS

1. Temporarily install the top full width drip cap before fitting the storm doors into the house door opening.
2. Follow the "Door Installation Instructions" (packaged with doors) with the following exceptions and additions:
 - a. The French Door Installation includes hanging a right and left-hand hinge door and installing an astragal between. One door is an "operating door" and the other a "stationary door."
 - b. The astragal replaces the latch-side z-bars supplied with the two stock doors. It provides weatherstripping between doors and a surface to mount latch strike.
3. Install both doors per instructions packaged with doors.
4. Remove protective tape from doors.
5. Install hardware in both doors.
6. Cut EasyVent astragal to correct length as follows:
 7. Notch the astragal top (Figures 4, 5) to clear the weatherstripping of the drip cap when closing the stationary door.
 8. Temporarily install astragal on the stationary door; use shims to adjust opening between the two doors with a 3/16" operating clearance along the height of the astragal.
 9. Install slidebolts on astragal (Figure 6).
 10. Adjust astragal to assure it's not twisted and weatherstripping is contacting operating door before fastening. Fasten astragal to stationary door using four (4) #8x1" panhead screws (Figure 1). 1/8" pilot holes are required. Drill outside holes to 3/8" for screws to pass through. **Be sure screws go into stationary door panel.**
 11. Cut off the back side of stationary door's expander to match the installed astragal (Figure 1).
 12. Attach strike to astragal per the hardware installation instructions.
 13. Insert hole plugs in astragal to cover mounting screw holes.

STANDARD HEIGHT DOORS Two (2) cuts must be made.

6a **TOP CUT:** First, determine which end of the astragal is top and mark it with a piece of tape. Measure up 36-5/8" from the top of the top slot, mark a line around the astragal. Cut the astragal off at this line (Figure 3A).

6b **BOTTOM CUT:** Measure down from the underside of the installed drip cap to the top of the door sill. Using this measurement, measure down from the top of the astragal. Mark a line around the bottom. Cut the astragal to match the slope of the sill and cut to length (Figure 3A).

CUSTOM HEIGHT DOORS Two (2) cuts must be made.

a. **TOP CUT:** First, determine which end of the astragal is top and mark it with a piece of tape. Measure the distance from top of door frame to top of slotted opening at the edge of the door frame (Figure 3B). using this measurement, add 1/8". Then measure the new distance from the top of the top slot of the astragal and mark a line. Cut the astragal off.

b. **BOTTOM CUT:** Measure down from the underside of the installed drip cap to the top of the door sill. Using this measurement, measure down from the top of the astragal. Mark a line around the bottom. Cut the astragal to match the slope of the sill and cut to length (Figure 3C).