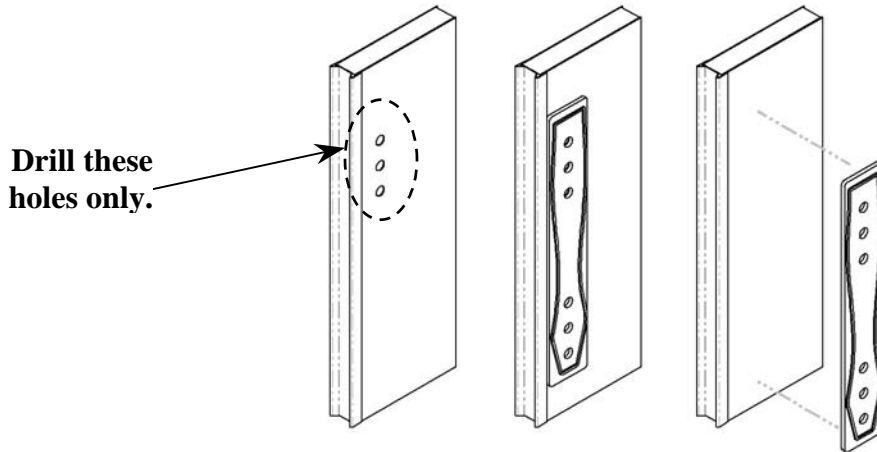


# LATCH INSTALLATION INSTRUCTIONS

## Drilling Instructions

**CAUTION:** Before drilling check that hardware does not interfere with prime door hardware. Suggested height is 38" to 40" from the bottom of the door.

1. The back plate will be used as a drilling template.
2. Orient the back plate as shown and position against the inside edge trim of the door. Mark the center of the top set of holes only.
3. Using a 5/16" bit, drill only the three top holes through the face of the door.



## Latch Installation

1. Insert the assembled keyed pushbutton into the outside handle.
2. Place spindle head into cavity of pushbutton. Rotate the spindle to seat fully into cavity.
3. From the outside of the storm door, insert spindle through the spring and guide the spindle through the top center hole of the back plate and drilled holes.
4. Press pushbutton to extend spindle and guide into the slot in the inside latch. Attach using #8-32 x 1 1/4" machine screws. **Do not over tighten as this could cause the latch to bind.**
5. With bottom hole of handle aligned, after inside latch is installed, drill through **outer skin of the door only** using a 1/8" drill bit. Install flat head screw provided.
6. Install strike onto door jamb, with short screws provided, so latch bolt is firmly engaged. Use shims as needed.

