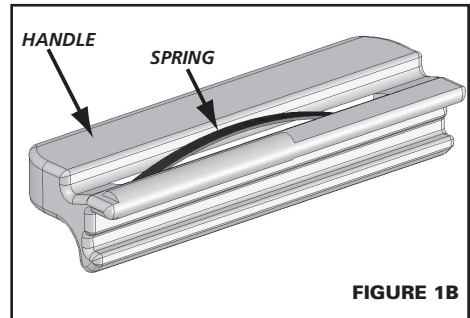
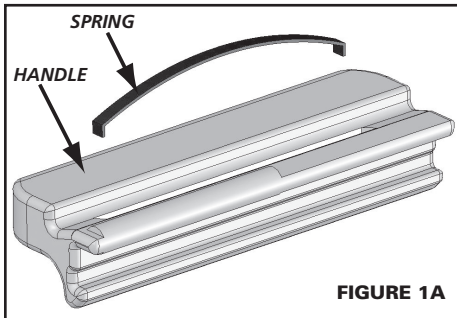


INSTALLATION INSTRUCTIONS

New and improved window handle for easy operation and ventilation. No more latches to fumble with. Simply install handle and pull screen down to any position. Stays where you put it.

STEP 1: INSERT SPRING INTO BOTTOM OF HANDLE



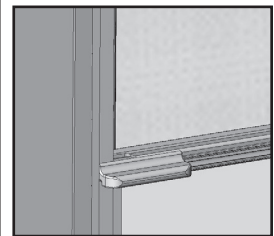
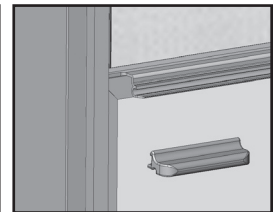
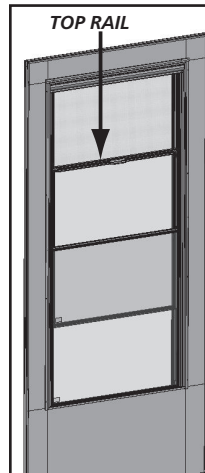
STEP 2: INSTALL HANDLE INTO WINDOW

Open top window to a comfortable height for handle installation. (Figure 2).

Slide the handle (with the spring installed and facing down) into the top rail channel starting at the left side (Figures 3 – 4). The spring may need to be compressed slightly to allow the handle to slide into the channel.

STEP 3: CENTER HANDLE ON WINDOW RAIL

- Slide the handle past the first (left) notch. There will be some resistance.
- **THEN STOP!** (Figure 5)
- The handle should not go past the second (right) notch (Figure 6).
- The handle is now centered.



FIGURES 3-4

