

Keyed Replacement Kit Instructions

Please Read All Instructions Carefully Before Beginning Installation

Drilling Instructions

1. Before drilling installation holes, check that the inside assemblies will not interfere with the existing hardware on the prime door.
2. Cut out the drilling template and locate on the door face in the desired position.
3. Tape template into place and mark the center holes with punch.
4. Using a 1/8" drill bit, drill pilot holes straight through the door.
5. Using the correct sized drill bit, drill holes from both sides to reduce burrs.

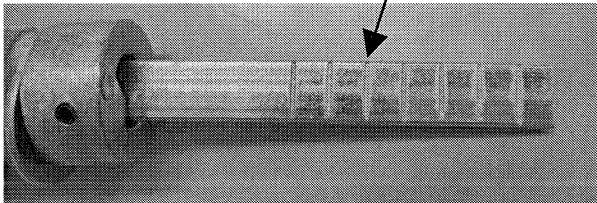
Latch Installation Instructions

1. Measure the thickness of your door and use the chart to find the correct screws and spindle lengths.

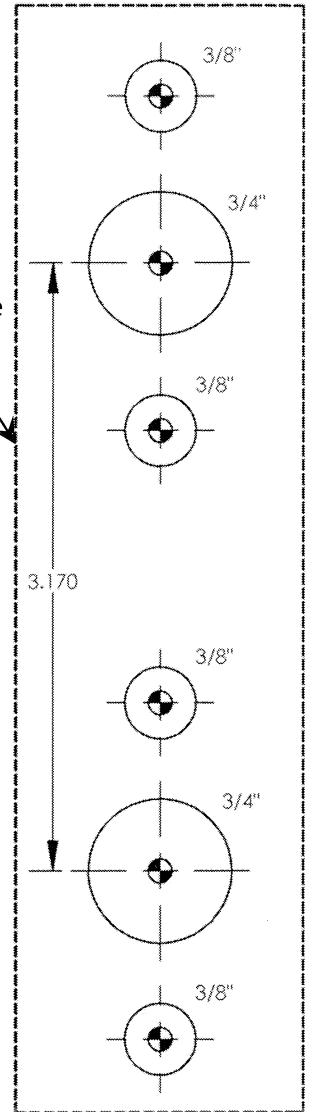
Door Thickness	7/8"-1"	1 1/4"	1 1/2"
Latch Screw Length	7/8"	1 3/8"	1 5/8"
Latch Spindle Length	3 3/16"	3 5/8"	3 7/8"
Deadlock Screw Length	1 5/8"	2 1/8"	2 3/8"
Deadlock Spindle Length	Break to 13/16"	Use As Is	Use As Is

2. **If needed**, the spindle attached to the outside assembly may be shortened by using two pairs of pliers to break at the location shown.

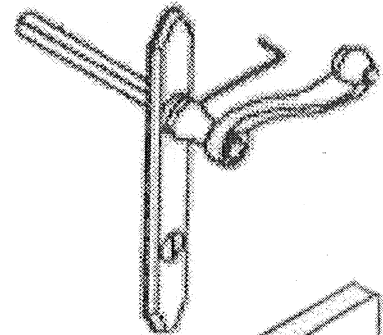
Break spindle here for 7/8"-1" door thickness only.



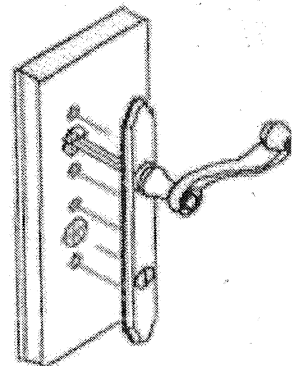
Cut along dashed line



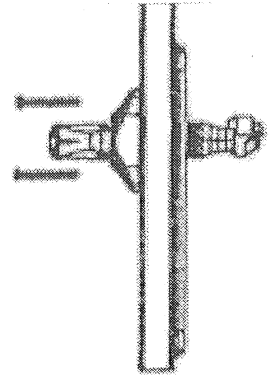
3. Insert large square spindle into outside lever, being sure spindle bottoms out in handle, and tighten set screw under handle using allen wrench provided.



4. Guide the outside latch/spindle assembly through the drilled holes on the outside of the door. If needed, one of the trim plates can be used underneath the assemblies, on both sides of the door, to cover existing holes.



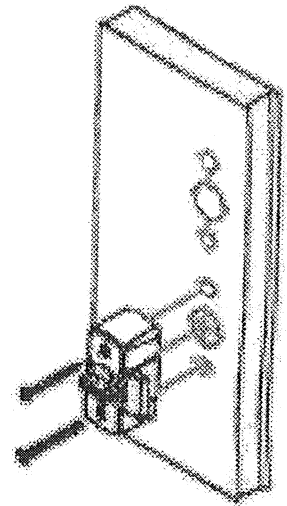
5. Loosen set screw on inside latch using allen wrench provided, then insert the large square spindle into the square hole on the inside latch. Fasten together with the correct length latch screws and tighten set screw.



Deadlock Installation Instructions

Note: Make sure deadlock throw is facing the same direction as the nose bolt of inside latch.

1. Guide the flat rectangle spindle into the hole in the inside of the deadlock.
2. Fasten deadlock to the door with the correct length deadlock screws.

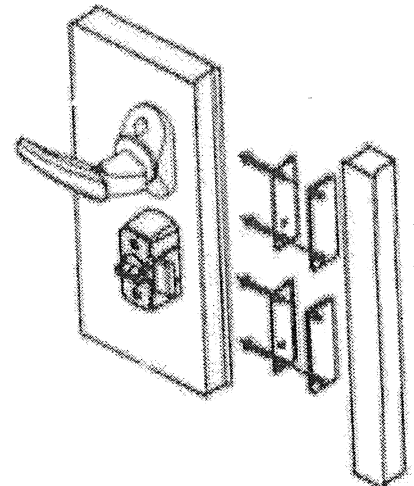


Latch Strike Installation Instructions

1. Install steel strike on jamb to engage the latch bolt of inside latch. If required, use enclosed shims to extend strike.

Deadlock Strike Installation Instructions

1. Extend bolt to "Locked" position. Mark position on door jamb and install steel strike to engage the bolt. If required, use enclosed shims to extend strike.



NOTE: Periodically Tighten Fasteners To Ensure Proper Operation