

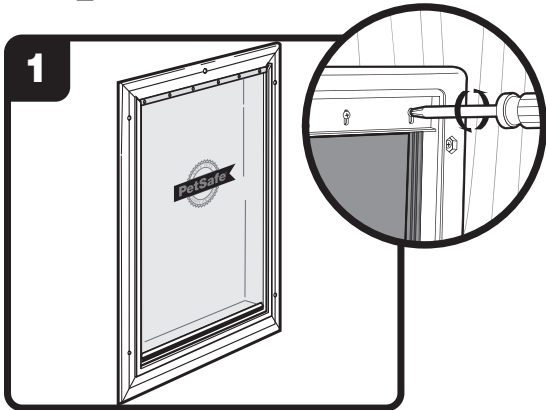


PetSafe® Replacement Flap Guide

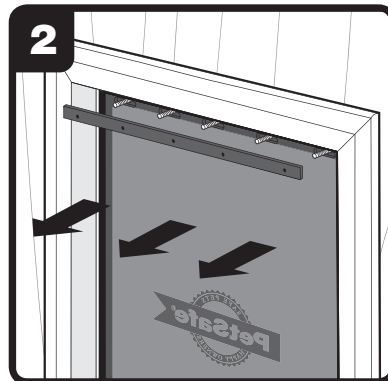
PAC11-11039 Large, PAC11-11040 X-Large
(Fits PetSafe® Freedom Aluminum Pet Door)

Thank you for purchasing a professionally pre-installed PetSafe® Freedom Aluminum Pet Door. Please use this helpful guide to replace or adjust your PetSafe® replacement pet door flap. If you have any additional questions, contact our Customer Care Center at 1-800-732-2677 or by visiting www.petsafe.net.

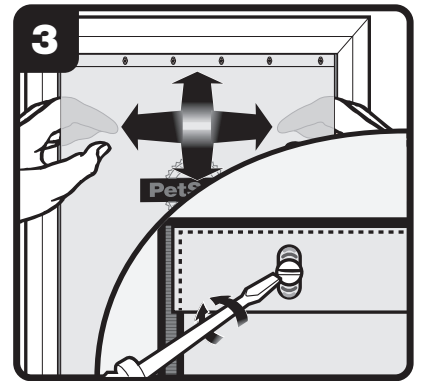
Replace



1 Remove screws from the interior frame of pet door.



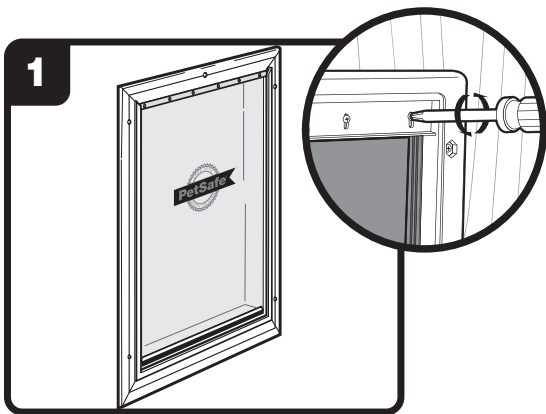
2 Remove metal bar and flap.



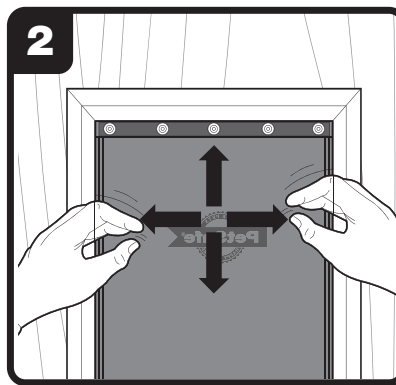
3 Replace vinyl flap and metal bar. Now, adjust flap horizontally and/or vertically to fit into door frame and tighten when correct.

Adjust

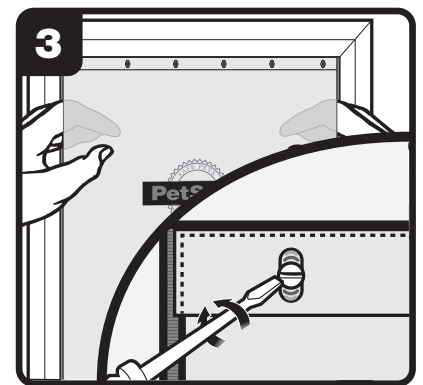
During extreme changes in weather, vinyl flaps can shrink during cold months and stretch in warmer months. Easily adjust the length of vinyl flaps to ensure a snug fit during seasonal changes.



1 Slightly loosen screws from interior frame of pet door.



2 Adjust vinyl flap vertically or horizontally as needed.



3 Tighten screws when correct.